

Drive components



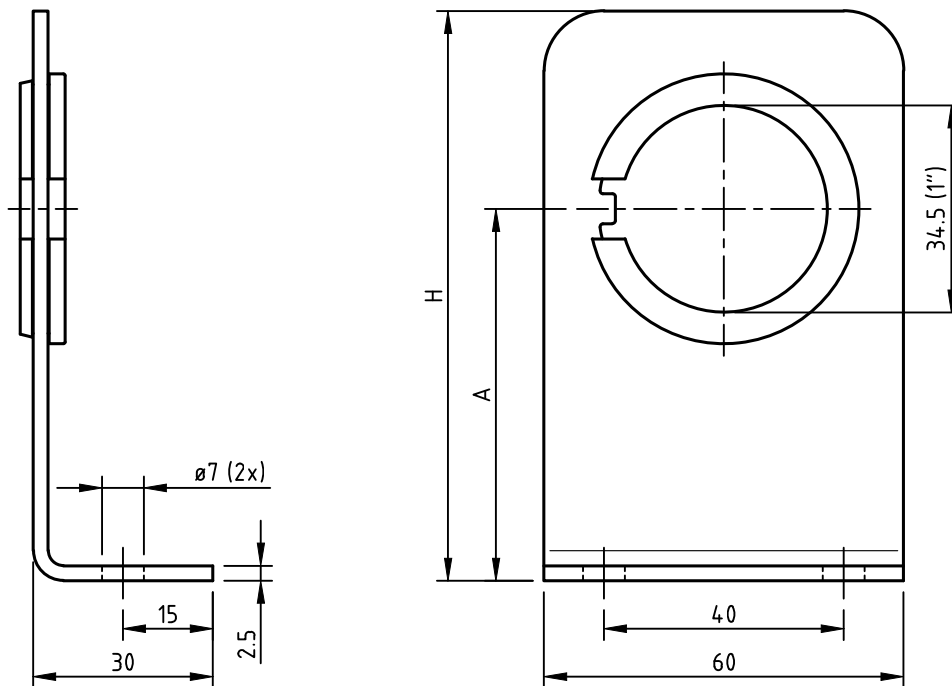


The right angled 1" slide bearing plates support and guide the drive tubes.

The sendzimir galvanised bearing plate has a sinter bronze slide bearing ring.

Straight 1" slide bearing plates are also available. Both types are also available for 5/4" drive tubes.

Other lengths are available on request.



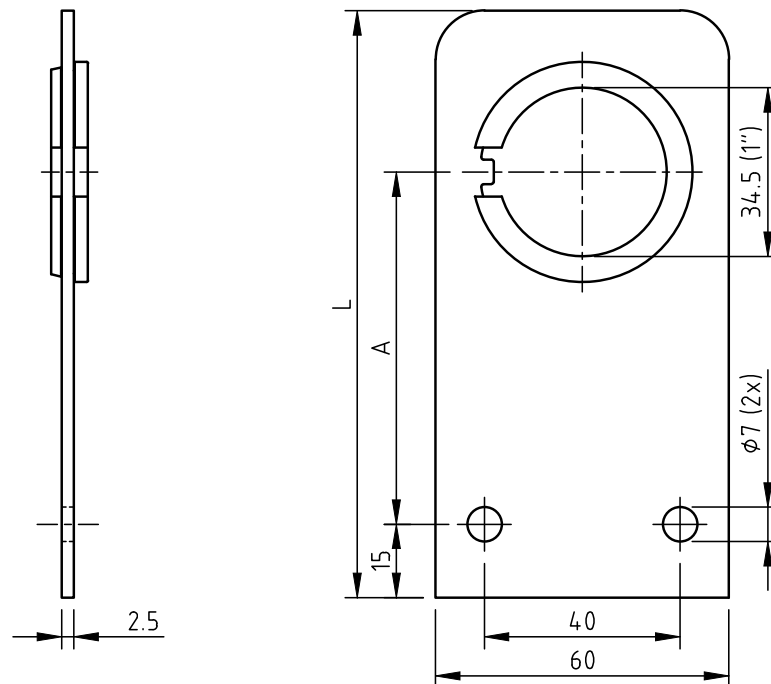
Description	A [mm]	H [mm]	L [mm]	m [g]	Article number
Slide bearing plate 1", right angled	42	75	100	122	P.GL100.H.L100
Slide bearing plate 1", right angled	62	95	120	138	P.GL100.H.L120
Slide bearing plate 1", right angled	82	115	140	154	P.GL100.H.L140
Slide bearing plate 1", right angled	120	153	178	164	P.GL100.H.L178
Slide bearing plate 1", right angled	142	175	200	234	P.GL100.H.L200
Slide bearing plate 1", right angled	162	195	220	250	P.GL100.H.L220

The straight 1" slide bearing plates support and guide the drive tubes.

The sendzimir galvanised bearing plate has a sinter bronze slide bearing ring.

Right angled 1" slide bearing plates are also available. Both types are also available for 5/4" drive tubes.

Other lengths are available on request.



Description	A [mm]	L [mm]	m [g]	Article number
Slide bearing plate 1", straight	52	100	122	P.GL100.R.L100
Slide bearing plate 1", straight	72	120	138	P.GL100.R.L120
Slide bearing plate 1", straight	92	140	154	P.GL100.R.L140
Slide bearing plate 1", straight	102	150	164	P.GL100.R.L150
Slide bearing plate 1", straight	152	200	234	P.GL100.R.L200
Slide bearing plate 1", straight	172	220	250	P.GL100.R.L220

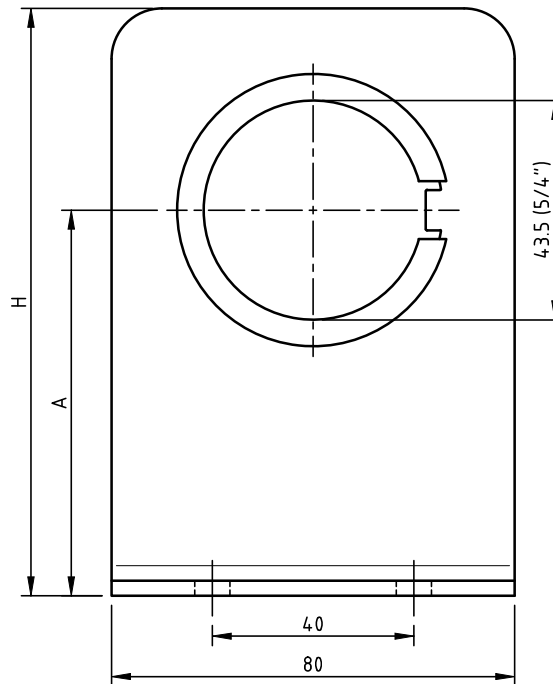
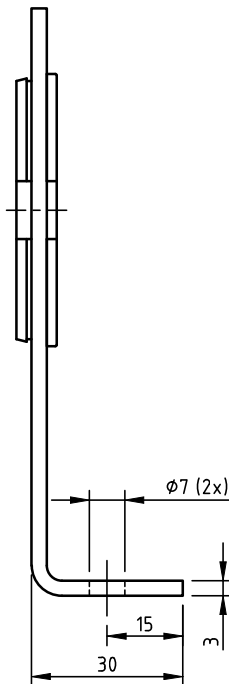


The right angled 5/4" slide bearing plates support and guide the drive tubes.

The sendzimir galvanised bearing plate has a sinter bronze slide bearing ring.

Straight 5/4" slide-bearing plates are also available. Both types are also available for 1" drive tubes.

Other lengths are available on request.



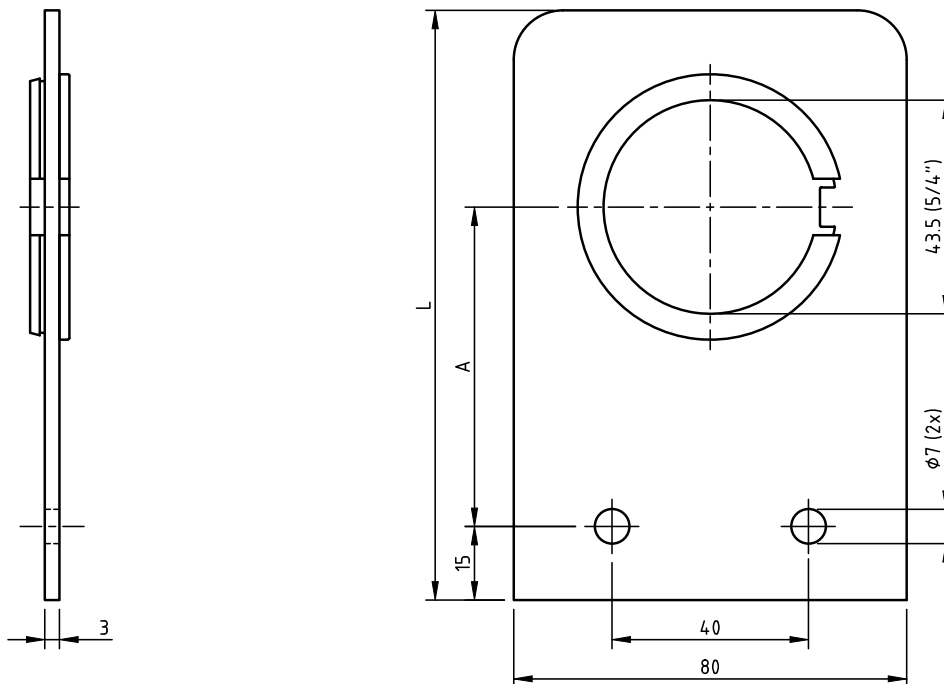
Description	A [mm]	H [mm]	L [mm]	m [g]	Article number
Slide bearing plate 5/4", right angled	36	76	100	330	P.GL125.H.L100
Slide bearing plate 5/4", right angled	56	96	120	350	P.GL125.H.L120
Slide bearing plate 5/4", right angled	76	116	140	354	P.GL125.H.L140
Slide bearing plate 5/4", right angled	86	126	150	392	P.GL125.H.L150
Slide bearing plate 5/4", right angled	136	176	200	428	P.GL125.H.L200

The straight 5/4" slide-bearing plates support and guide the drive tubes.

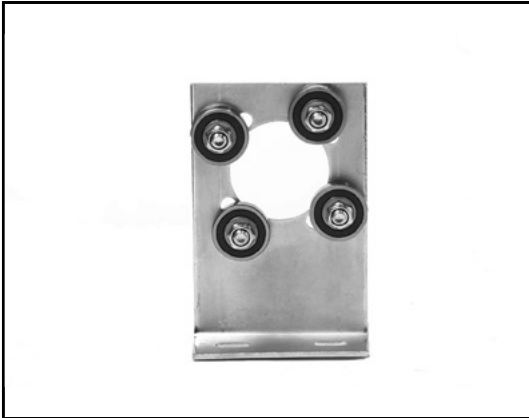
The sendzimir galvanised bearing plate has a sinter bronze slide bearing ring.

Right angled 5/4" slide-bearing plates are also available. Both types are also available for 1" drive tubes.

Other lengths are available on request.



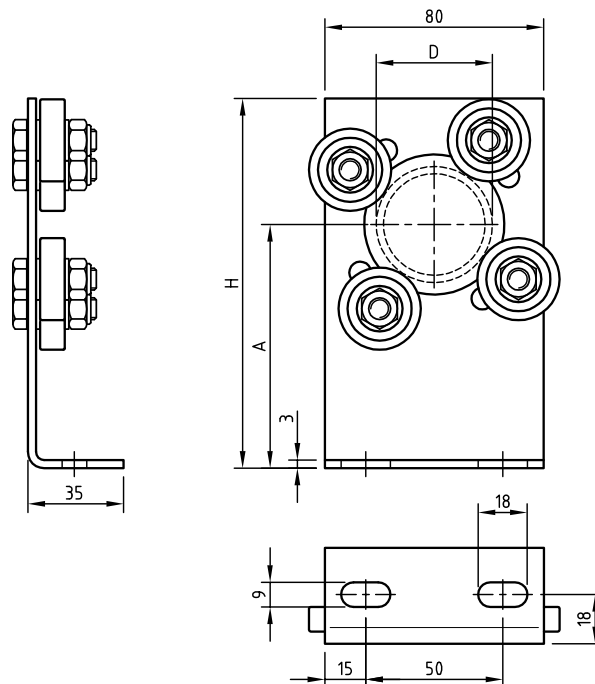
Description	A [mm]	L [mm]	m [g]	Article number
Slide bearing plate 5/4", straight	45	100	330	P.GL125.R.L100
Slide bearing plate 5/4", straight	65	120	340	P.GL125.R.L120
Slide bearing plate 5/4", straight	85	140	350	P.GL125.R.L140
Slide bearing plate 5/4", straight	95	150	354	P.GL125.R.L150
Slide bearing plate 5/4", straight	145	200	392	P.GL125.R.L200
Slide bearing plate 5/4", straight	185	240	428	P.GL125.R.L240



The ball bearing plates support the drive tubes.

The sendzimir galvanised bearing plate has four ball bearings. Rubber gaskets ensure that the bearings are permanently lubricated and maintenance-free. The ball bearing plate is available from stock for 1" or 5/4" drive tubes.

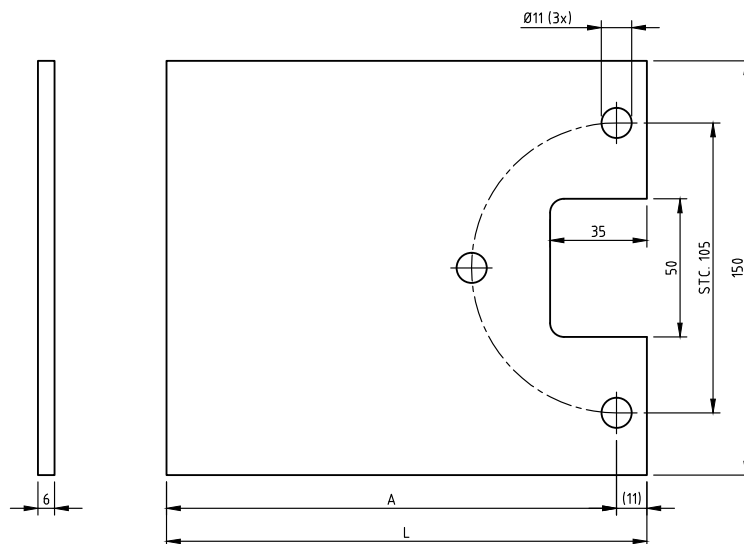
Other lengths are available on request.



Description	D [-]	A [mm]	H [mm]	m [kg]	Article number
Ball bearing plate 1", right angled	34,5 (1")	89	135	0,60	P.KL100.H.A89
Ball bearing plate 1" right angled	34,5 (1")	122	168	0,70	P.KL100.H.A122
Slide bearing plate 5/4", right angled	43,5 (5/4")	89	135	0,60	P.KL125.H.A89
Slide bearing plate 5/4", right angled	43,5 (5/4")	122	168	0,70	P.KL125.H.A122

The mounting plate is used to attach the GW motor gearbox and GWK worm gearbox to the construction.

The galvanised straight mounting plate is suitable for the GW and GWK series (motor gearboxes). The A sizes 163 mm, 504 mm and 640 mm are standard. Other sizes are available on request. Right angled mounting plates are also available.



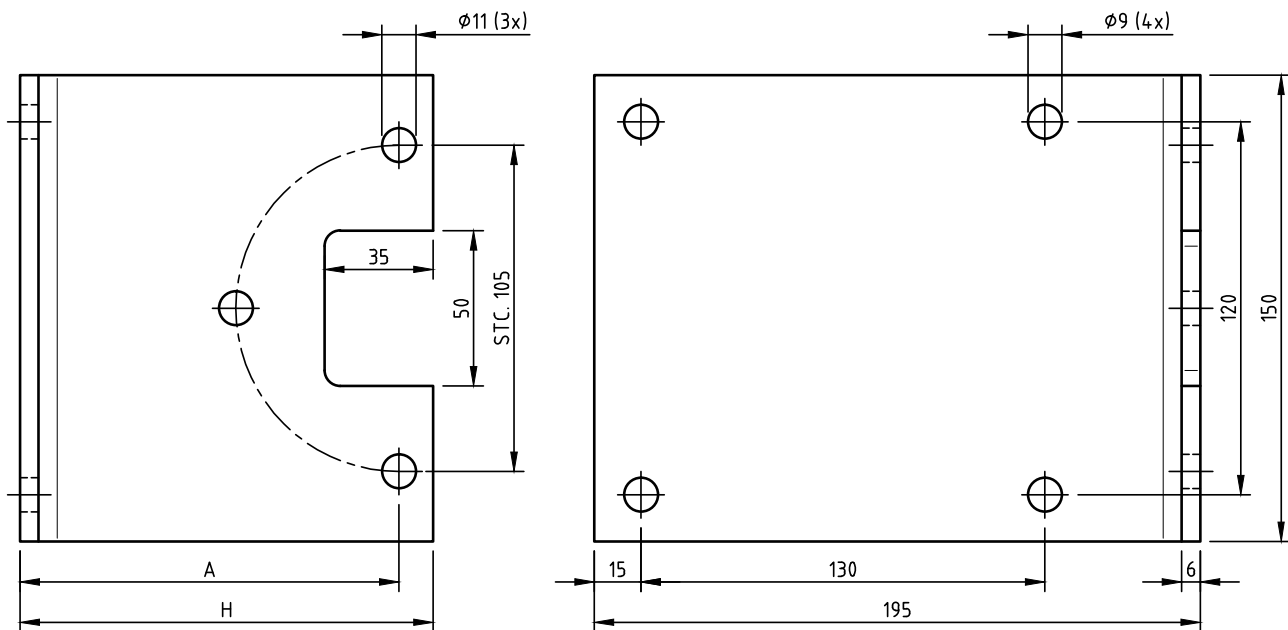
Description	A [mm]	m [kg]	Article number
Mounting plate GW, straight	163	1,2	P.MP.GW.R.A163
Mounting plate GW, straight	195	1,5	P.MP.GW.R.A195
Mounting plate GW, straight	504	3,7	P.MP.GW.R.A504
Mounting plate GW, straight	640	4,7	P.MP.GW.R.A640



The mounting plate is used for the attachment of a GW motor gearbox or GWK gearbox to the construction.

The galvanised right angled mounting plate is suitable for the GW and GWK series (motor gearboxes) and is fastened to the construction with bolts. The A size 122 mm is standard.

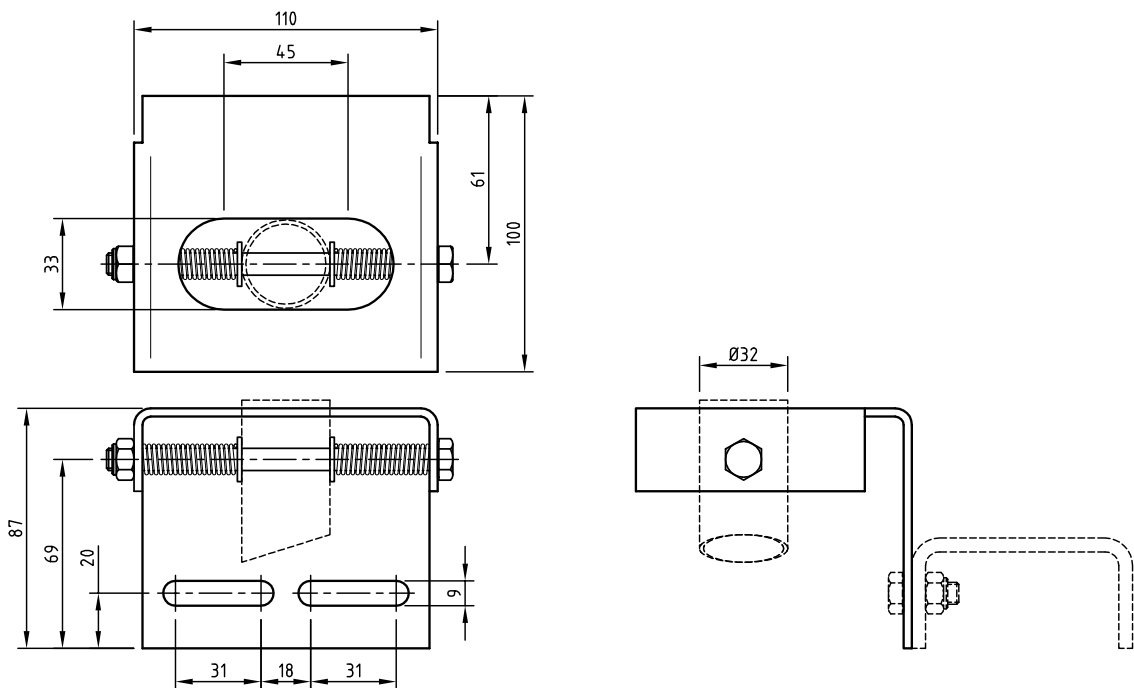
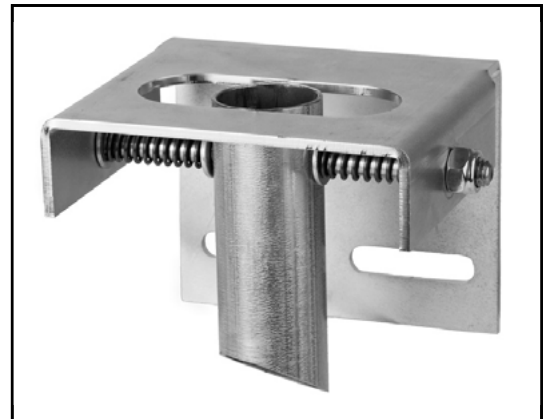
Other lengths are available on request. Straight mounting plates are also available.



Description	A [mm]	H [mm]	m [kg]	Article number
Mounting plate GW, right angled	122	133	2,2	P.MP.GW.H.A122

The galvanised mounting bracket for the GXP10 guidance, is used to fix the Ø32 mm guiding tube of GXP10 to the wall. The spring construction allows the tube to move laterally and with that it allows the roll tubes to expand.

The mounting bracket can be fixed to the girder with two M8 bolts.



Description	m [g]	Article number
Mounting bracket top GXP10-guidance	550	P.BL.04.GXP10

3

DRIVE COMPONENTS



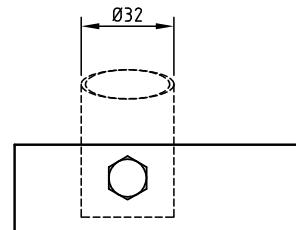
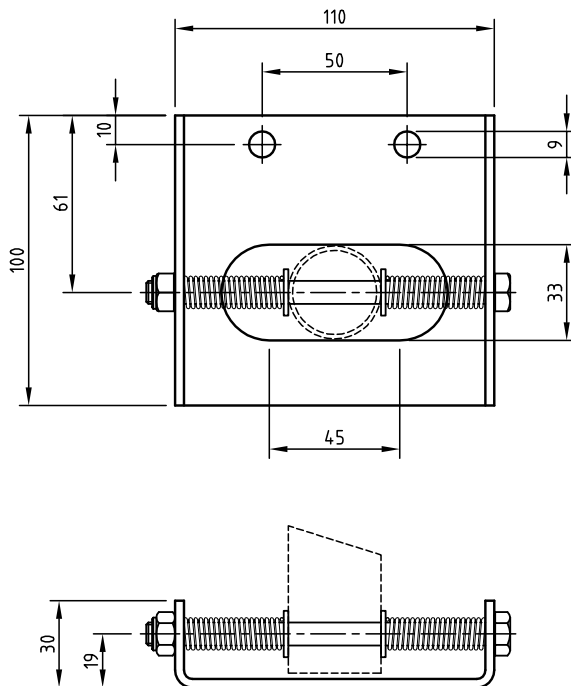
3.10

MOUNTING PLATE GXP10 BOTTOM



The galvanised mounting bracket for the GXP10 guidance, is used to fix the Ø32 mm guiding tube of the GXP10 to the floor. The spring construction allows the tube to move laterally and with that it allows the roll tubes to expand.

The mounting bracket can be fixed to the concrete with two M8 bolts.



Description	m [g]	Article number
Mounting bracket bottom GXP10-guidance	380	P.BL.02.GXP10

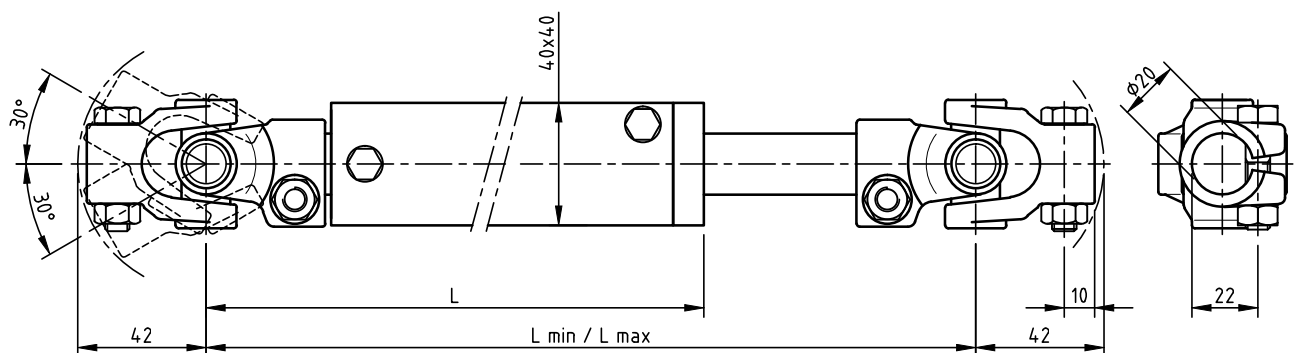
The telescopic arm TSP40 has been specially developed to drive the side ventilation in plastic greenhouses and stables. The roll tube of the ventilation system is connected by means of the TSP40 with the drive shaft of a GW10 motor gearbox.

The telescopic arm is manufactured from stainless steel, and is available for bridging various ventilation heights. Universal joints mounted on both ends provide a maximum angle of 30° in relation to the centre of the telescopic arm.

A coupling piece for the drive shaft of the GW10 is also available. The 1" or 5/4" roll tube can be connected to the TSP40 with a weld joint.



Other coupling pieces are available on request.



Description	T [Nm]	L [mm]	L1 [mm]	L2 [mm]	m [kg]	Article number
Telescopic arm, height 545 mm	40	420	416	548	2,8	P.TSP40.H545
Telescopic arm, height 1400 mm	40	760	801	1408	5,1	P.TSP40.H1400
Telescopic arm, height 1800 mm	40	1160	1201	1808	6,0	P.TSP40.H1800
Telescopic arm, height 2000 mm	40	1360	1401	2008	6,5	P.TSP40.H2000
Telescopic arm, height 2500 mm	40	1860	1901	2508	7,7	P.TSP40.H2500
Telescopic arm, height 3300 mm	40	2660	2701	3308	9,6	P.TSP40.H3300
Telescopic arm, height 4000 mm	40	3360	3401	4008	11,2	P.TSP40.H4000

3

DRIVE COMPONENTS



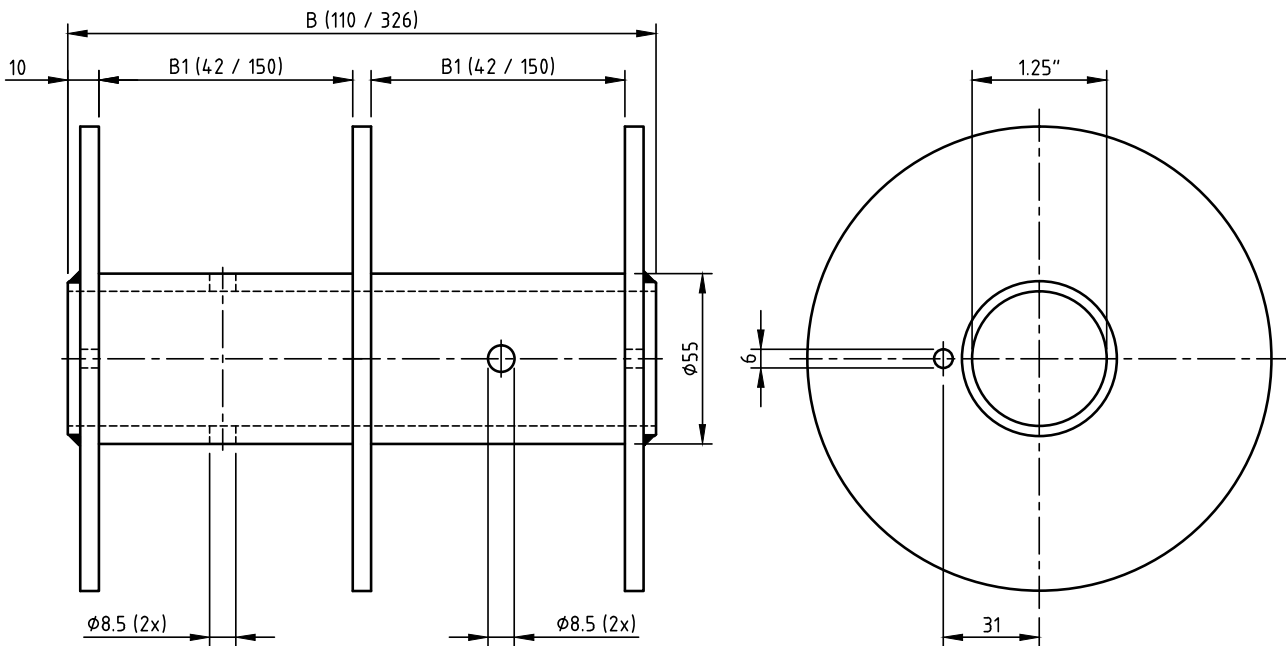
3.12

WINCH DRUM 5/4", DOUBLE



The double winch drum is suitable for mounting over a 5/4" drive tube. The galvanised winch drum is fixed with two spring dowel pin and can be used for hoisting drinker- or feeder lines. Multiple winch drums can be placed on one GW gearbox driven 5/4" tube.

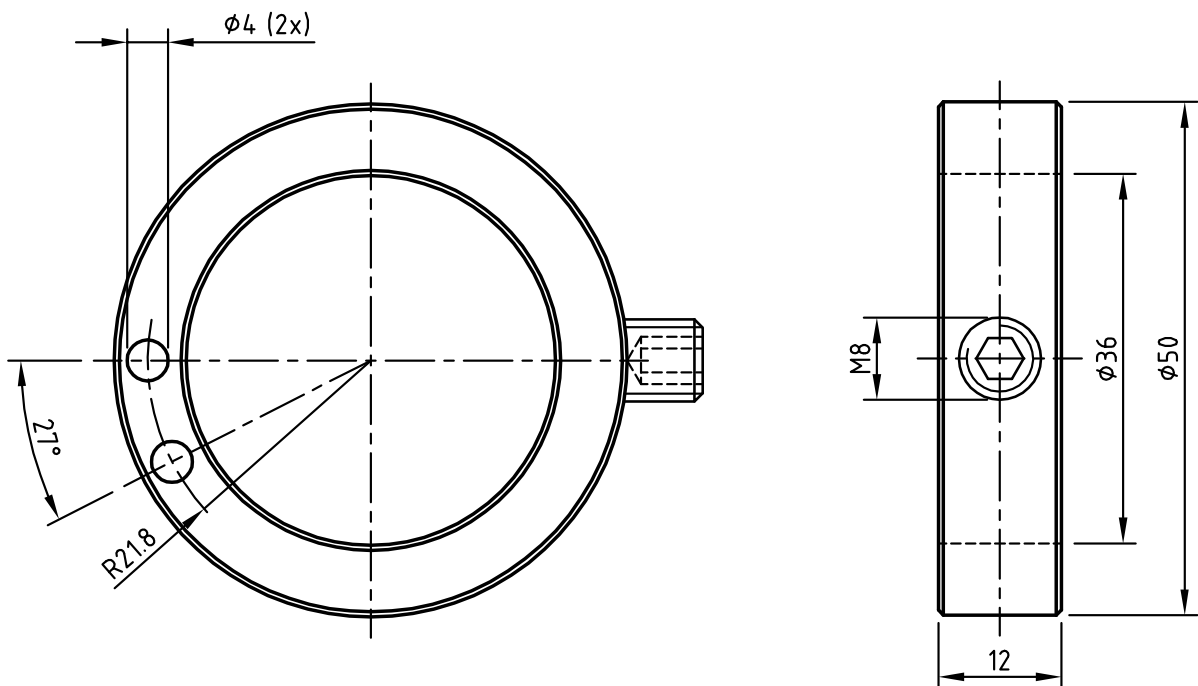
The winch drum is supplied in two executions. The standard execution is 110 mm wide. We also have a 326 mm wide execution for extra capacity.



Description	Omtrek [mm]	Bi [mm]	B [mm]	m [kg]	Article number
Winch drum 5/4", double tube, Bw = 84	172,8	2 x 42	110	2,8	P.LT2.D125
Winch drum 5/4", double tube,, Bw = 300	172,8	2 x 150	326	4,4	P.LT2.D125.300

The cable ring is used in various applications, including hoist heating. The cable ring is used to attach the cable to the drive tube.

The galvanised steel ring is supplied with an M8 set screw to secure the ring to the drive tube.



Description	m [g]	Article number
Cable ring 1"	90	P.KABELRING

